

TETHA-ARM: DAVIT ARM & BASE SYSTEM

PART CODE: **DAVARM**



PRODUCT INFORMATION >

The LINQ TETHA-ARM provides a safe and secure system for confined spaces. The TETHA-ARM is made from durable stainless steel and can swivel 360 degrees on its mounted base. A unique feature of the TETHA-ARM is the 3 adjustment points within the cantilever arm, providing versatile reach and access even if the roof area is limited.

PRODUCT FEATURES >

- Durable stainless steel for high corrosion resistance.
- 360-degree swivel capability when mounted to TETHA-ARM floor base for complete versatility.
- Cantilever arm with 3 defined adjustment points, provides great reach and access. Refer to table below and diagram for specifications.
- Dual anchorage points on cantilever arm rated at 15kN makes this suitable for fall arrest.
- Can easily be connected to TETHA-ARM floor and wall mounts, further enhancing capabilities for use.
- TETHA-ARM can be paired with LINQ Rescue winch and LINQ Type 3 LOQ BLOQ for a complete confined space package.

PRODUCT DETAILS >

Cantilever Arm Weight: 15.9kg

Column Weight: 19.2kg

Total TETHA-ARM Weight: 35.1kg

Cantilever adjustment settings table:

Settings	Distance From Column	Height From Arm
Upper	0.8m	2.3m
Middle	1.1m	1.9m
Lower	1.25m	1.5m

TECHNICAL INFORMATION >

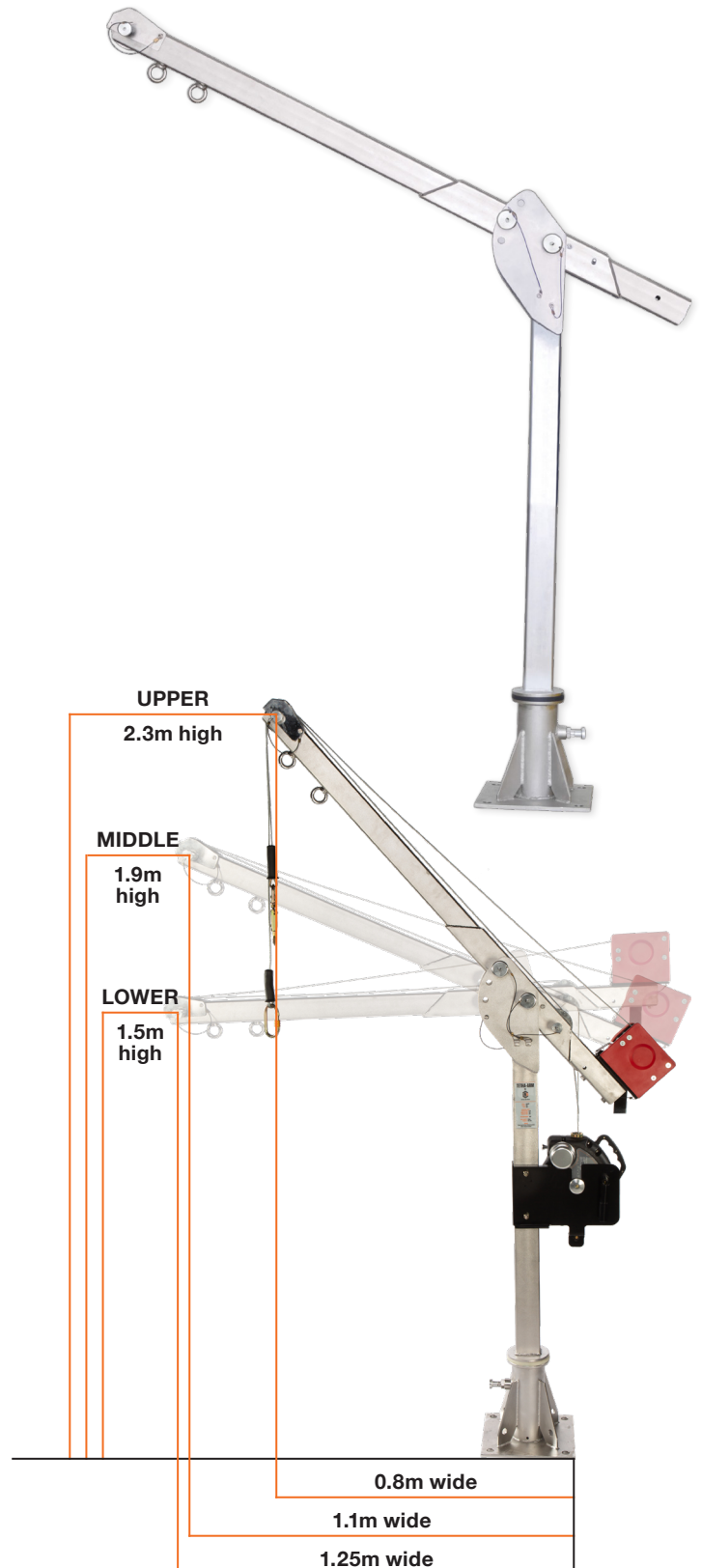
- **Static Strength:** Both Eye Anchorages tested at 15Kn for 3 minutes.
- **Dynamic Strength and Integrity Test:** When tested dynamically with a rigid mass of 100kg, the test mass shall be arrested, and anchor hold an increased mass of 300kg for 3 minutes.
- **Corrosion Protection:** Corrosion test in accordance with ISO 9227:2012 - 24 hours neutral salt spray, followed by a further 24 hours salt spray. No visual evidence of any rust damage present.

APPLICATIONS >

All environments involving confined space work.

STANDARDS >

Certified to EN375:2012 - Anchorage points meet AS/NZS 5532:2013.



Reading of LINQ instruction manual prior to use is mandatory. Description and specification subject to change without notice. If in doubt please contact the LINQ helpline.

AUS: 1300 546 747

NZ: 0800 546 747

INTERNATIONAL: +61 1300 546 747

WWW.LINQHS.COM

TETHA-ARM: ACCESSORIES

CONFINED SPACE ENTRY



LINQ TETHA-ARMS ARE AVAILABLE WITH A RANGE OF ACCESSORIES TO SUIT >

TYPE 3 SRL - 20M IRSR20R

- High impact polymer outer casing.
- Equipped with locking pin that enables SRL to have “Dual Mode”.
- “Block Mode” allows SRL to be used as an independent fall arrestor.
- “Winch Mode” enable easy retrieval/rescue of worker.
- Comes with load indicator snap hook and swivel anchorage eye.
- Retractable wire rope maximum length: 20m



BRACKET TO SUIT DAVBRA20



TYPE 3 SRL - 30M IRSR30R

- High impact polymer outer casing.
- Equipped with locking pin that enables SRL to have “Dual Mode”.
- “Block Mode” allows SRL to be used as an independent fall arrestor.
- “Winch Mode” enable easy retrieval/rescue of worker.
- Comes with load indicator snap hook and swivel anchorage eye.
- Retractable wire rope maximum length: 30m



BRACKET TO SUIT DAVBRA30



TETHA-ARM FLOOR MOUNT DAVBASE

- Stainless steel floor mount for high corrosion resistance.
- **Weight:** 11.8kg
- **Dimensions:** 300W x 300L x 300Hmm, 3mm thick



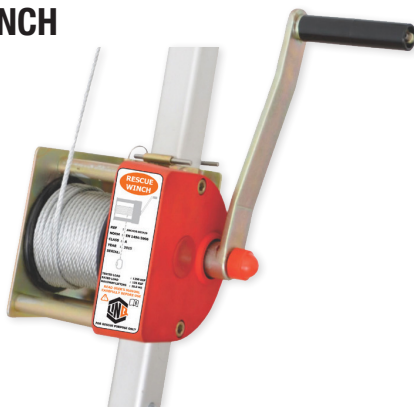
TETHA-ARM WALL MOUNT DAVWALL

- Stainless steel wall mount for high corrosion resistance.
- **Weight:** 12.8kg
- **Dimensions:** 300W x 300L x 300Hmm, 3mm thick



TRIPOD RESCUE WINCH HSTW25

- **Tested Load:** 1350kg
- **Rated Load:** 135kg
- **Maximum Lifting:** 25M



FASTENERS TO MOUNT TRIPOD RESCUE WINCH TO TETHA-ARM DAVFAS



Reading of LINQ instruction manual prior to use is mandatory. Description and specification subject to change without notice. If in doubt please contact the LINQ helpline.